

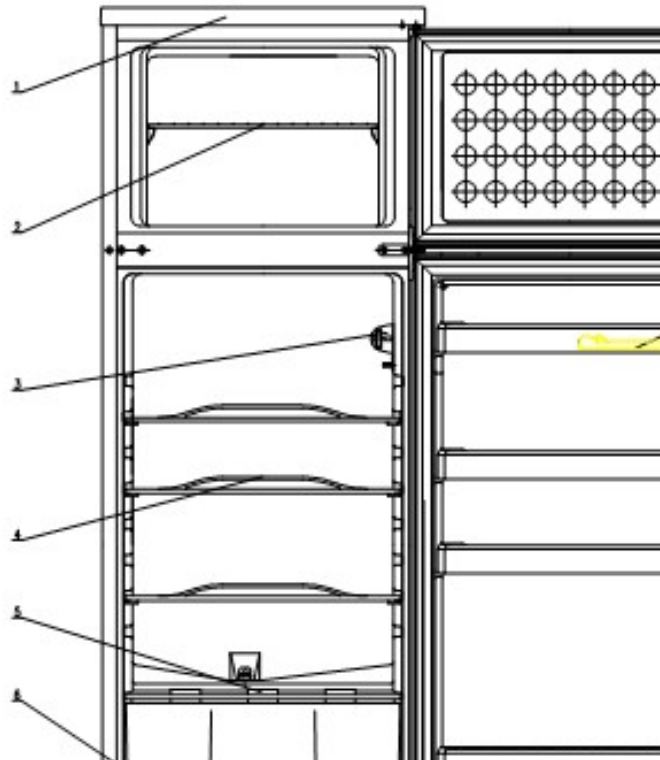
**T75562ML1W**

**Fridge Freezer**

# **Instruction Manual**

**This product was supplied by Shomar Ltd Dublin. We can be contacted on Dublin 01- 4505327 or by visiting our website [www.shomar.ie](http://www.shomar.ie)**

## General Description of Refrigerator



- |                        |                       |
|------------------------|-----------------------|
| 1. Upper Cover         | 2. Freezer Shelf      |
| 3. Thermostat          | 4. Refrigerator Shelf |
| 5. Salad Crisper Cover | 6. Salad Crisper      |
| 7. Adjustable Foot     | 8. Egg Tray           |
| 9. Pocket Rack         | 10. Bottle Rack       |

### Transportation and Handing

When transporting, hold the base and lift the refrigerator carefully with the tilted angle more than 45 degree. Never hold the door handle as support. Never place it upside down nor horizontalwise nor get it extruded. Push refrigerator about by making its two hind roller feet as axis and then tilting it slightly during moving indoors.

### Installation

1. Install the refrigerator at a place with a flat, firm ground directly. In order to prevent vibration and noise.
2. Choose a well-ventilated place. A space of no less than 10cm must be left around the refrigerator.
3. Choose a location where there is no heat source. Keep the refrigerator away from direct sunlight and oven etc..

4. Choose a dry and well-ventilated place where there is no corrosive air.

### **Testing**

1. Clean the parts of the refrigerator with lukewarm water containing a little neutral detergent and with clear water, and wipe them dry.

**Notes: Electric parts of the refrigerator can only be wiped by dry cloth.**

2. Turn the thermostat knob to the "3" position, turn on electricity. The compressor and the light inside the refrigerator begin to work.

3. Close the door 30 minutes later, if the temperature in the freezer compartment decreased obviously, it shows that the refrigerator system works well. When the refrigerator operates for a period of time, the temperature controller will automatically set the temperature within limits it opens.

4. If the above steps are successful, the trial operations finish. The refrigerator works normally.

### **Temperature Control**

1. The temperature in the refrigerator compartment and freezer compartment is controlled by the temperature controller installed on the side wall of the refrigerator compartment.

2. Turn the thermostat knob to right or left, you can regulate the temperature inside the refrigerator.

### **Storage of Food**

#### **1. How to Use the Freezer Compartment**

\*Put fresh and clean food such like fish, meat into freezer to frozen store, therefore the taste and nutrient of food are preserved.

\*Wrap food to be frozen in ALUMINIUM FOIL or place it in AIRTIGHT boxes.

\*Do not allow already frozen food into direct contact with food to be frozen.

\*If you buy deep frozen food in the shops, bring it home and place it in freezer as quickly as possible so that the time during which it kept in the air temperature is as SHORT AS POSSIBLE.

#### **2. How to Use the Refrigerator Compartment**

\*The cook dishes can be put into refrigerator to keep fresh after their temperature decreases to room temperature.

\*Egg pockets and bottle pockets for eggs, butter, milk and bottle drinks, etc.

\*Other food such as MEAT, FISH AND suchlike, in addition to becoming dry, may cause smells. To prevent this, they should be wrapped in aluminum foil, placed in suitable polythene bags or stored in proper airtight containers.

### **3.Placement of Food**

\*Proper place should be left instead of too crowded during food storage.

\*Food to be stored should be wrapped with clean plastic film or fresh keeping paper, then distributed to several frames even to avoid contamination and the loss of water and smell mixture.

\*Cool hot food down to the room temperature before storing or consumption of electricity will increase and would lead to frost forming inside.

\*Never place vegetables and fruits into freezer compartment in order to prevent them from being frostbitten.

### **4.Fast Freezing**

\*Our freezers have a function of fast freezing.

\*The fresh fish and meat to be stored for a long period of time should be fast frozen for this purpose.

### **Defrosting**

1. When the refrigerator working for a period of time, the inner surface of the freezer will be covered with a layer of white frost. It may raise the electricity consumption and lessen the effect of refrigeration. Then you should do frost removal at once.

2. When defrosting, cut off the power, open the door and move frozen foods to a shady and cooling place, defrost with a plastic scraper, or let the temperature rise naturally till frost melts. Then wipe away remaining ice and water, and switch on electricity again.

**Notes: Never use sharp metal tools or it will damage the refrigerator.**

### **Notes:**

\*The appliance shall not be used in open air and shall not be exposed to rain.

\*Don't store something like ether, methanol, gasoline etc., which is easy to evaporate, burn or explode.

\*Don't set something too heavy on the top of refrigerator and do not pour water on it.

\*Do connect your refrigerator to an independent electrical socket and use a safe ground wire. The voltage should be limited within the ranges from 220V to 240V, or the main motor will be damaged.

\*Turn on electricity only 5 minutes later after electricity goes off. Otherwise, the compressor may be damaged.

\*In order to save electricity consumption, keep air circulation during operation and the package base should be taken away.

- \*Sure to keep electrical wire away from compressor and condenser, or its insulation function will be spoiled by high temperature.
- \*To save the energy, you should reduce the frequency and duration of the opening of the door.
- \*When the frost in freezer is removed, or where there is no electricity or when refrigerator ceases to be used, it should be cleaned in time in order to prevent it from smelling. Too much frost may affect refrigeration.
- \*Do not touch the food in the freezer box or container(especially metal container) with wet hand, or it may be frostbited.
- \*It is not recommended to use any extension cords.
- \*Warning-Keep ventilation openings in the appliance enclosure or in the structure for building in, clear of obstruction.
- \*Warning-Do not use mechanical devices or other means to accelerate the defrosting process, other than those recommended by the manufacturer.
- \*Warning-Do not damages the refrigerant circuit.
- \*Warning-Do not use electrical appliances inside the food storage of the appliance unless they are of the type recommended by the manufacturer.
- \*If the appliance can not be used any more, please release the refrigerant before abandon at a place exposed to the air and away from tinderbox. The appliance must be positioned so that the plug is accessible. If the supply cord is damaged, it must be replaced by the manufacturer or its service agent or a similarly qualified person in order to avoid a hazard. Please dispose the appliance according to the local rule for the blowing gases.

### **General Instructions for Care and Maintenance**

The refrigerator should be cleaned every other month, before cleaning, the electric plug must be removed from the power supply.

Wipe the inside and outside of the refrigerator with a wet soft cloth.

If it's too dirty, clean with a soft cloth soaked with neutral detergent and clean water, remove the moisture with dry cloth.

If you are going away on holiday or for any other reason, wish to leave the refrigerator idle for any period of time, proceed as follows:

- \*Disconnect the refrigerator from the electric power supply by removing the plug from the wall socket.
- \*Remove all food.
- \*Clean and dry the inside as instructed in the direction given above for cleaning.
- \*Leave the doors open to prevent any unpleasant smells from building up while the refrigerator is not used.

**Cleaning:**

\*When cleaning the refrigerator the electric plug must be removed from the power supply.

\*Use water and a non-abrasive detergent.

\*Clean with a soft cloth soaked in this solution and remove moisture with a dry cloth.

\*Remember to clear the defrost drain situated at the back just above the glass cover.

**Replacing the light bulb**

Should the light fail, switch off at the socket outlet and pull out the mains plug. Then ensure the bulb is screwed securely in the bulb holder. Replace the plug and switch on. If the light still fails, obtain a replacement E14 screw-cap type 15 Watt (Max) bulb from your local electrical store and then fit it. Carefully dispose of the burnt-out light bulb immediately.

**Working Defects and Failures****Symptom:**

**Appliance will not work at all.**

**Cause:**

The power supply plug is not inserted in the wall socket or the plug and the outlet is loose.

Due to some anomaly in the household electric supply circuit, no power is reaching the refrigerator supply socket. This can be checked by plugging in a light or any other electric appliance into the suspect socket.

The voltage is too low.

**Symptom:**

**Noisy running.**

**Cause:**

The appliance has not been properly leveled.

The refrigerator contact with the wall.

The accessories in the refrigerator are placed wrong position.

**Symptom:**

**Appliance does not cool sufficiently.**

**Cause:**

Door has been opened too often, or it has been left open for a while.

The refrigerator is too near to the wall.

Too much food in the refrigerator.

Have not regulate the temperature correctly.

**Symptom:**

**Smell inside the appliance.**

**Cause:**

Some of the food is not properly wrapped or covered.

The inside of the refrigerator needs cleaning.

If your refrigerator shows other symptoms from those described above, or if you have check all items listed as the causes and the symptom still exist, then call the service department.

**The Following Are not Breakdowns**

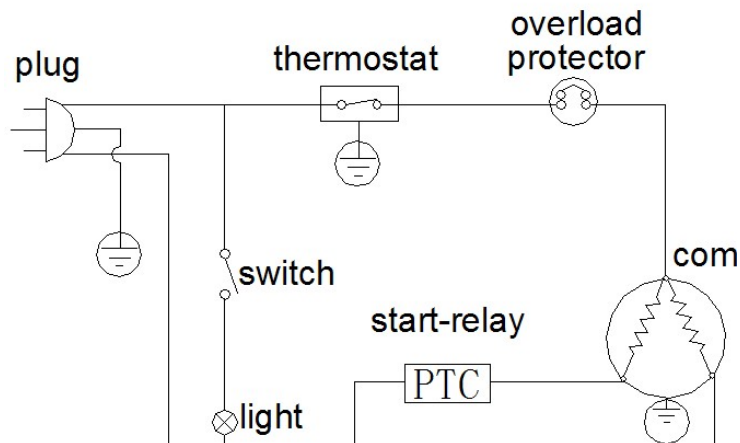
1.Refrigerant running in pipes gives forth a gentle sound of water running in pipes.

2.In a moist season, the outer surface of refrigerator may be covered with moisture which should be simply wiped away.

3.The compressor and the rear condenser may be heated to the extent that scalding your hand in summer during refrigerator operation.

4.Door frame heat means the anti-dew tube is working during refrigerator operation.

**Diagram of Circuit Principles**



Due to product's changing and improving, the exact product for the consumer may not correspond with some details in the instruction. Please accept our apologize for no information in advance.

Remarks

This appliance is intended to be used in household only